

## MOUNTING INSTRUCTIONS

ENG

**5202/L** Bano hygienic washbasin with grey grab bar- left

**5202/R** Bano hygienic washbasin with grey grab bar- right

**5207-EL** Bano height adjustable module- electrical

**5207-MA** Bano height adjustable module- manual

Rev: 17.january.2017

### BANO HEIGHT ADJUSTABLE HYGIENIC WASHBASIN WITH GRAB BAR



Bano provides a 3-year warranty against manufacturing defects: i.e. if such defects appear within 3 years of installation, customers can replace the defective item with a corresponding properties.



**Accepted  
mounting instructions**  
2016:1



Award for design excellence  
Norwegian Design Council

#### BANO AS

Utstillingsplassen 3  
6823 Sandane-Norway  
Phone: +47 57 86 98 00  
post@bano.no  
www.bano.no

#### BANO AB

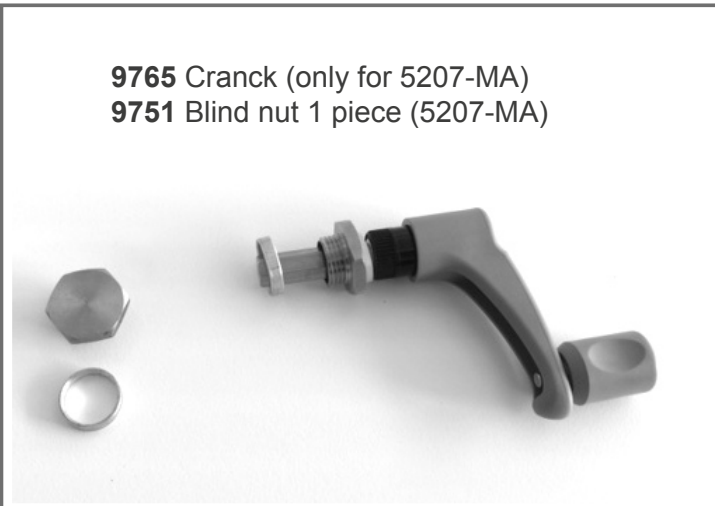
Hammarby Allé 91  
120 63 Stockholm - Sverige  
Phone: +46 (0) 8 30 11 10  
post@bano.se  
www.bano.se

#### BANO A/S

Møllehaven 8  
4040 Jyllinge - Danmark  
Phone: +4526 24 55 14  
post@bano.dk  
www.bano.dk

**Content List ( loose parts ):**

**9765** Cranck (only for 5207-MA)  
**9751** Blind nut 1 piece (5207-MA)



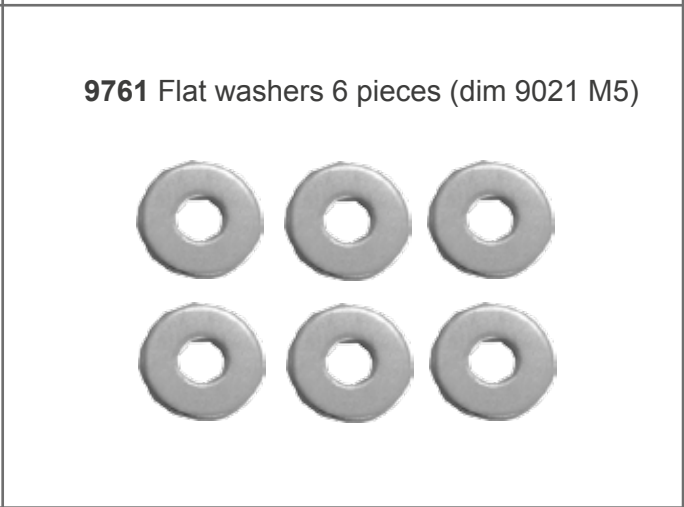
**9751** Blind nut 2 pieces (5207-EL)



**9760** Eletrical height adjuster push buttons  
(Only for 5207-EL)



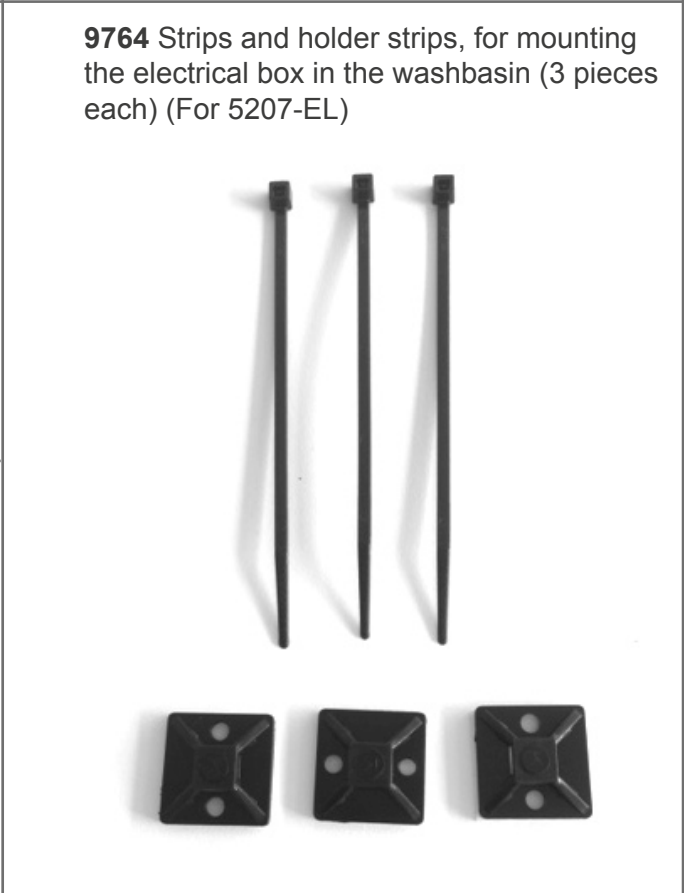
**9761** Flat washers 6 pieces (dim 9021 M5)



**9762** Screw with white plastic cap 2 pieces M4x8  
ISO 7380

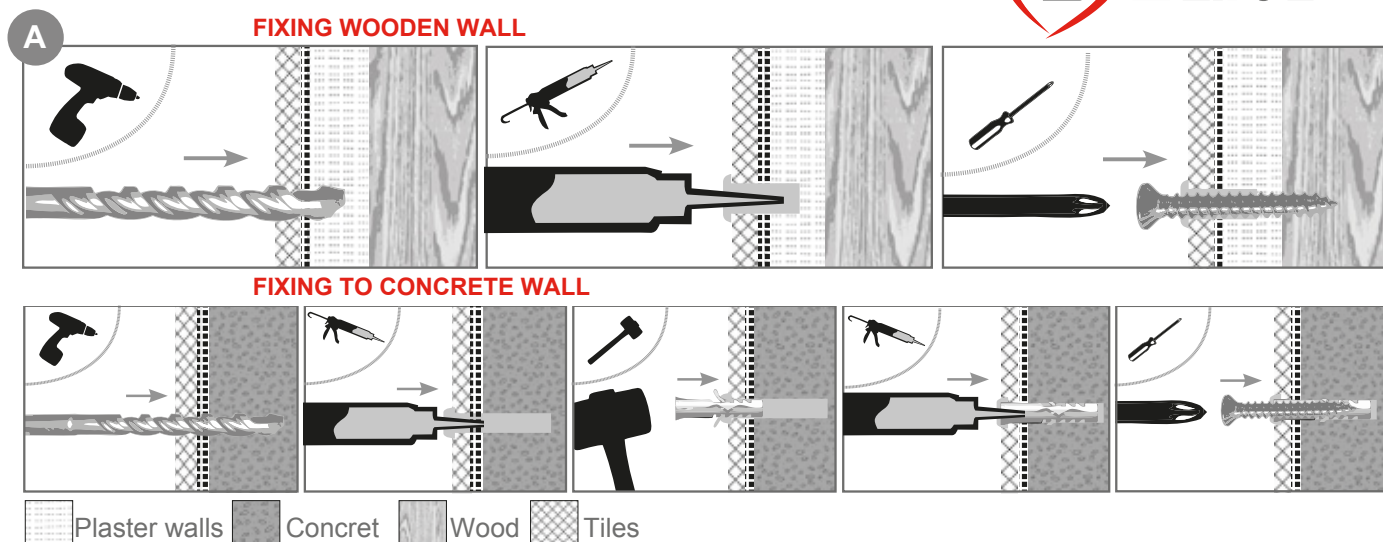


**9764** Strips and holder strips, for mounting  
the electrical box in the washbasin (3 pieces  
each) (For 5207-EL)



**9763** Screw (10 pieces) M5 x12 ISO 7380





The washbasin is fastened to wallbracket with glue and fixing screws. Bano recommend 7 days curing for all glued products.

### FIXING TO WALL



Make sure never to perforate wet walls completely. Clean the holes after drilling. Make sure to use sealant approved for application on wet walls. See illustration **A**



Please note that the product guarantee only applies when the wall and screws are dimensioned according to «Byggebransjens Våtromsnorm» and Bano interface for products mounted in Norway. For products mounted in other countries, please note that the product guarantee only applies when wall and screws are dimensioned according to national guidelines/regulations and Bano interface.

#### Tiled wooden wall:

Make sure never to perforate wet walls completely. Drill holes with a 10 mm drill bit through the tiles only. Clean and fill the hole with sealant approved for application on wet walls. See illustration **A**

#### Tiled concrete wall:

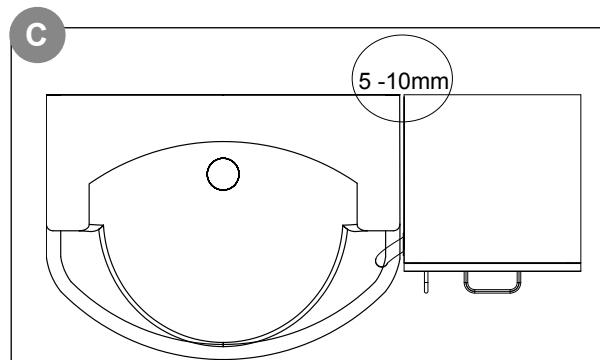
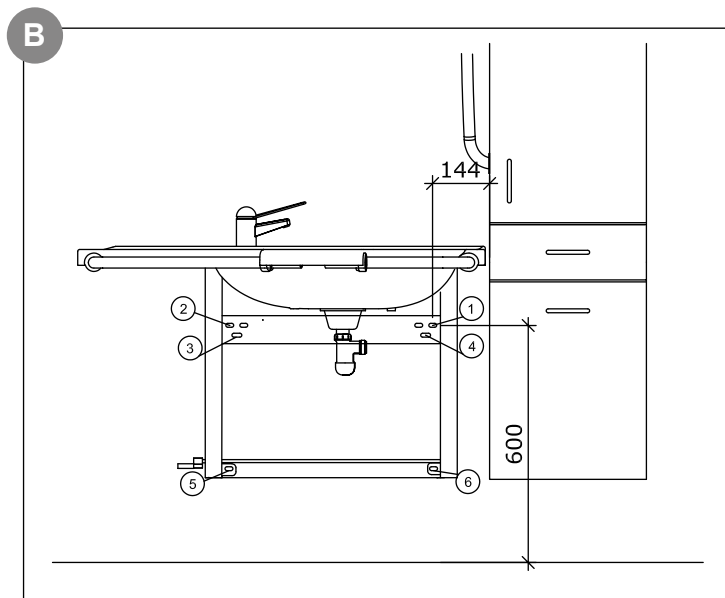
Drill holes using a 12 mm drill bit through the tiles only. Switch to a 10 mm drill bit for further drilling through the concrete. Fill the hole with sealant, place a nylon plug in the hole and fill the plug with sealant. See illustration **A**

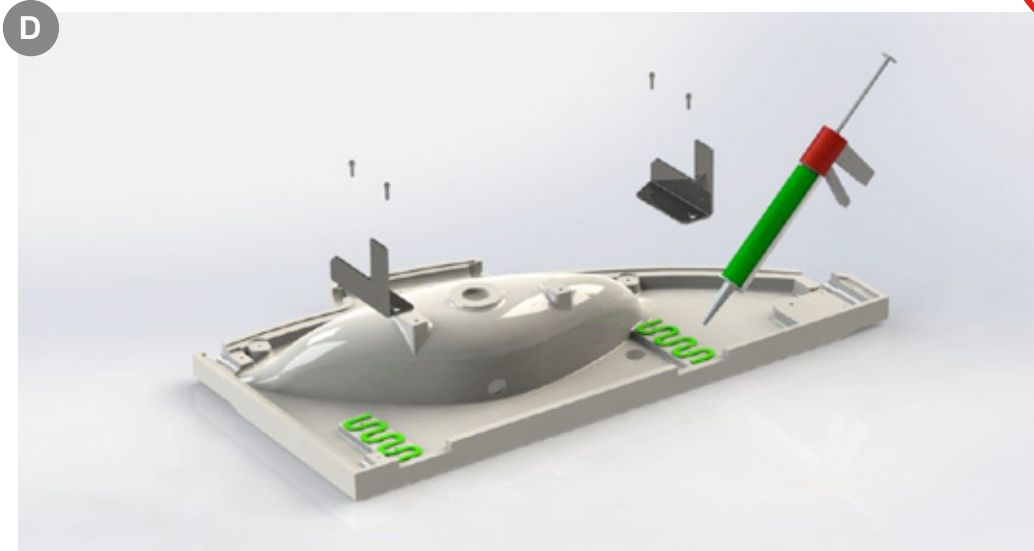
#### Other wall materials (bathroom boards, vinyl):

Make sure never to perforate wet walls completely. Drill holes which are dimensioned for said type of wall. Fill the hole with sealant, place a nylon plug in the hole and fill the plug with sealant. See illustration **A**


### INSTALLATION

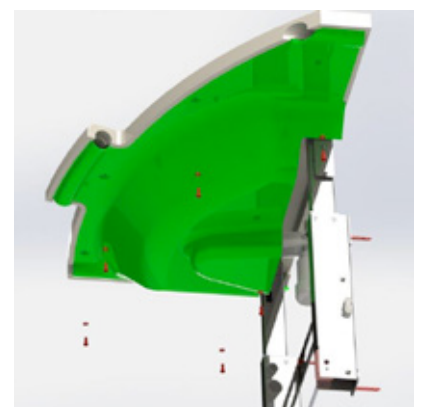
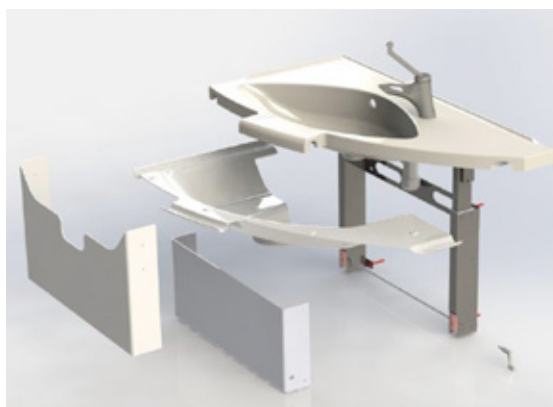
See illustration **B** concerning the positioning of the wall bracket which shows the marking up of the first (top) hole nearest to the cupboard/ wall (hole nr 1)



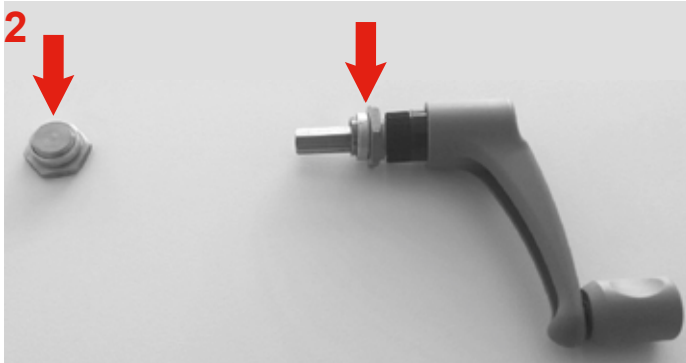
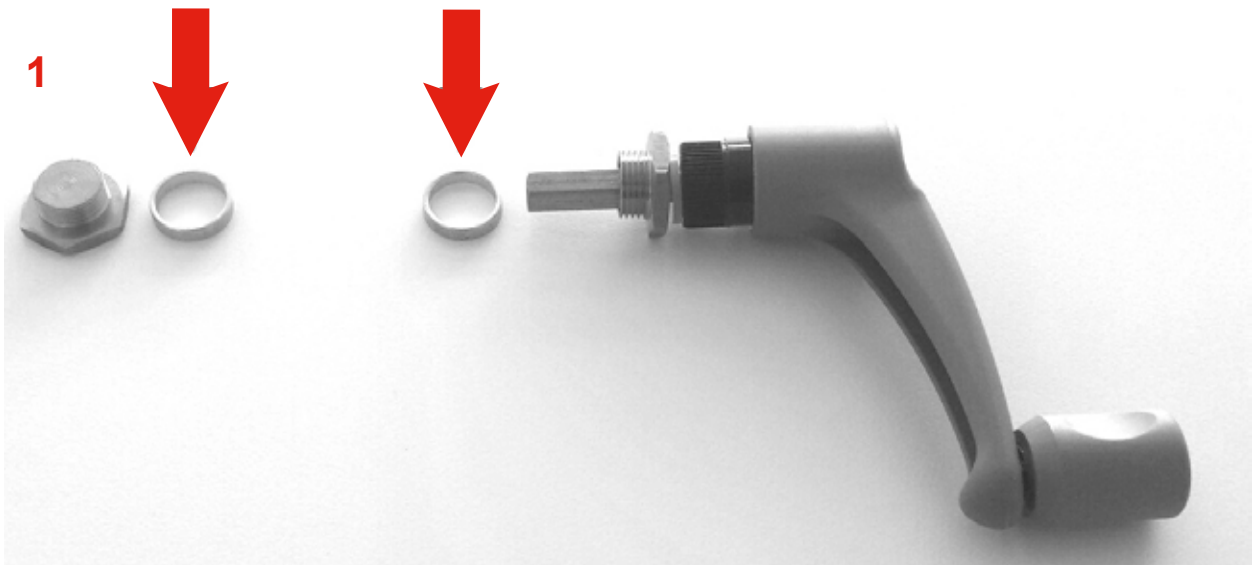


### Procedure for gluing 5207 EL/MA wall bracket to 5202 washbasin:

1. Clean the two surfaces that are to be glued (the top of the basin brackets and the underside of the hand basin) with Loctite 7063 (alternatively use acetone, if 7063 is not available).
2. Wait 5 minutes before applying the adhesive.
3. Apply Tec 7 in an s-form pattern ( See illustration **D** ) to the underside of the hand basin. Apply the adhesive with enough distance and a suitable thickness so that it does not flow together, forming a uniform and continuous glued surface. The hardening process is assisted with help from moisture in the air while a uniform surface will delay this process and take longer for the adhesive to harden.
4. After applying the adhesive wait 5 minutes. Thereafter spray a fine mist of water onto the Tec 7 adhesive - to help accelerate the hardening process. Use either tap or bottled water. This process can eventually be left out if clean water is not available but this will extend the hardening process and the time duration before the hand basin can be fully loaded.
5. Glue the basin brackets to the hand basin applying slight downward pressure, moving the brackets slightly back and forth. Screw the fixing screws through the wall bracket into the basin.
6. Place the hand basin onto the wall bracket. Do this after step 5, just after the adhesive has been applied. Check to make sure that the hand basin is sitting level and 3-5 mm out and aligned with the wall – loosen the fixing screws and adjust the basin bracket and basin if necessary.
7. NB! Ensure that there is distance of 5-10 mm between the hand basin and cupboard so that the hand basin is able to be adjusted up and down. See illustration **C**
-  8. The wasbasin MUST be lowered to the lowest position while the glue is hardening. This in order to harden the glue with the brackets in an parallell position. The washbasin is fastened to wall brackets with glue and fixing screws. Bano recommend 7 days curing for all glued products.



E



### Mounting the crank and the blind nut at the manual height adjustable module (5207-MA):

1. Take the crank, blind nut , and two spacer ring.
2. Put on a spacer ring on the blind nuts and a distance disc on the crank. **NOTE ! Important that these spacer rings are used.**
3. Fit the crank in the hole on the mounting bracket that is on the same side as the narrow side of the washbasin
4. Fit the blind nuts on the opposite side of the hole on the mounting bracket .

### Installation of caps on electrical height adjustment module (5207-EL):

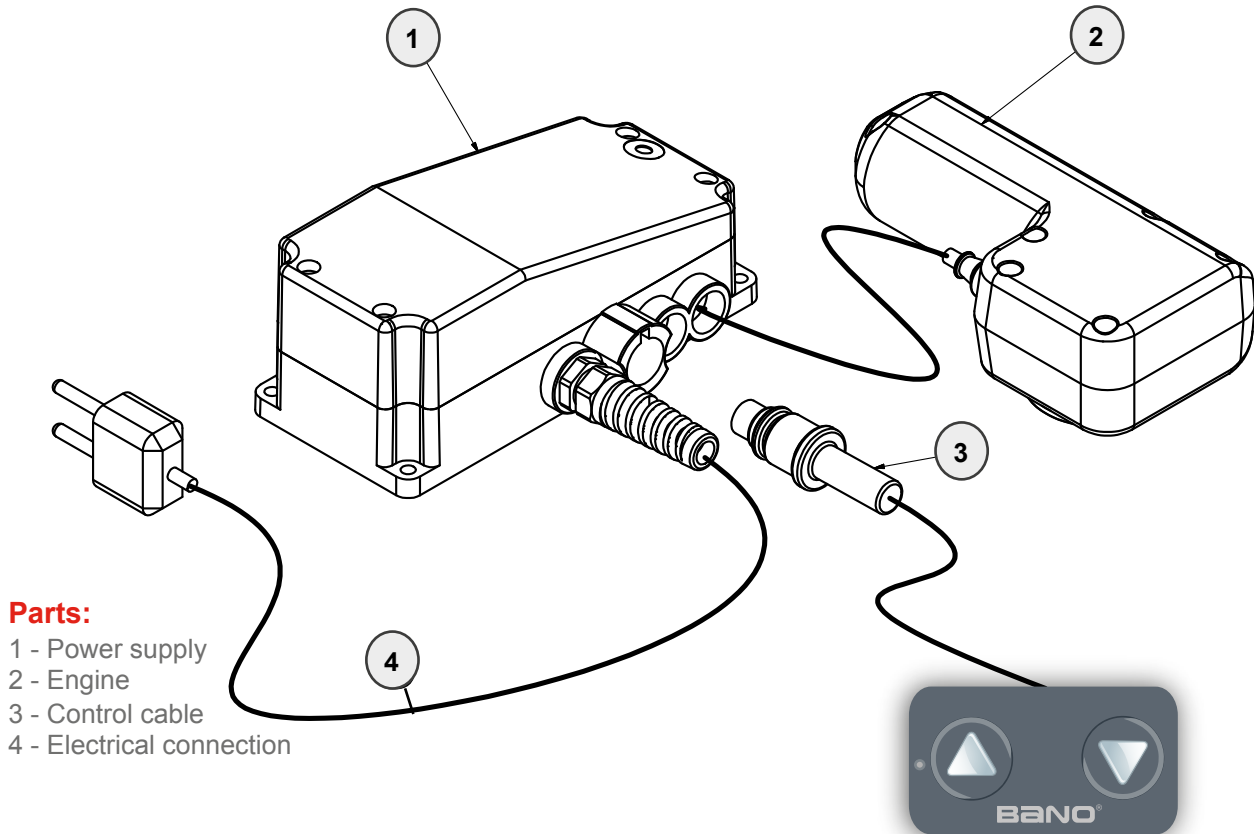
5. Take the two caps and two spacer rings.
6. Put a spacer ring on each blind nut. **NOTE ! Important that these spacer rings are used**
7. Fit a blind nut on each side of the holes on the mounting bracket.



# INSTALLATION INSTRUCTIONS

## ELECTRICAL HEIGHT ADJUSTMENT

CONNECTION: 5207-EL (this step does NOT apply to 5207-MA)



### Mounting the push buttons to electric height adjustment

- 1: Secure the cable using the brackets and the strips under the washbasin (3 pieces).
- 2: Connect the control cable to the power supply and test if the push buttons are working. The illustration shows how the cable should be attached.
- 3: Develop health cover (remove the plastic wrap from it) and insert the push buttons electrical cable in the hole, assemble the push buttons and control cable with each other. Mount on health cover under the washbasin with screws and flat washers. Take off the foil on the back of the push buttons. Fix the push buttons with the help of the adhesive tape on the leading edge of health cover.